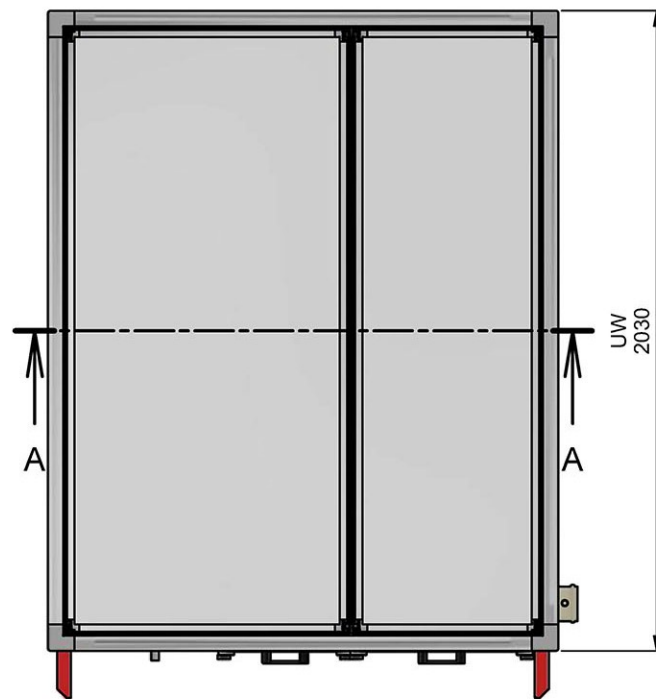
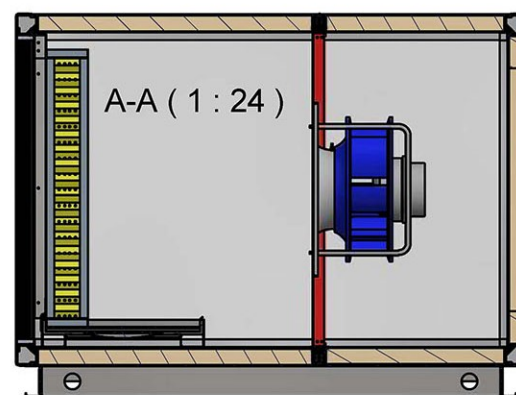
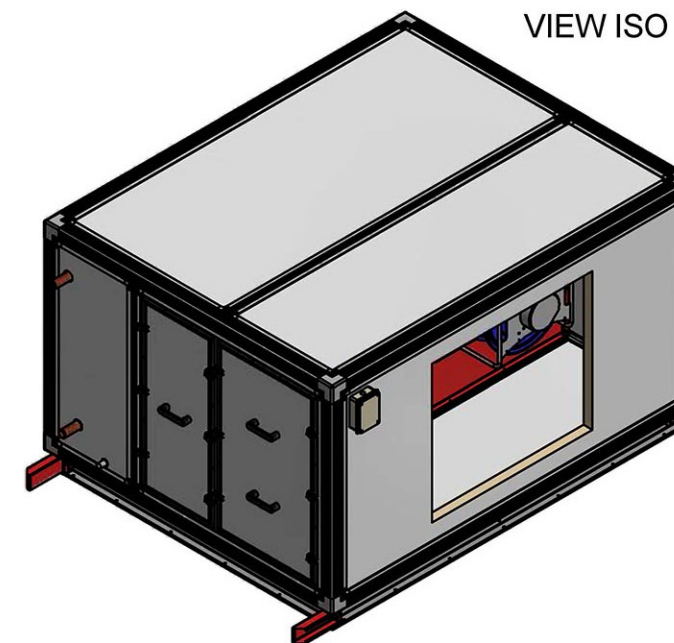


VIEW ISO 2 (1 : 30)

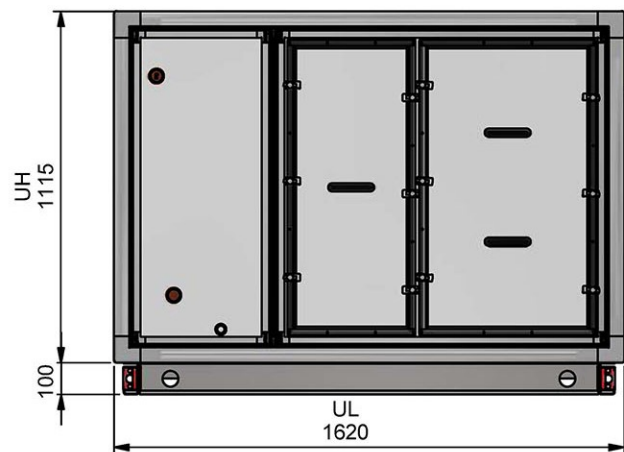
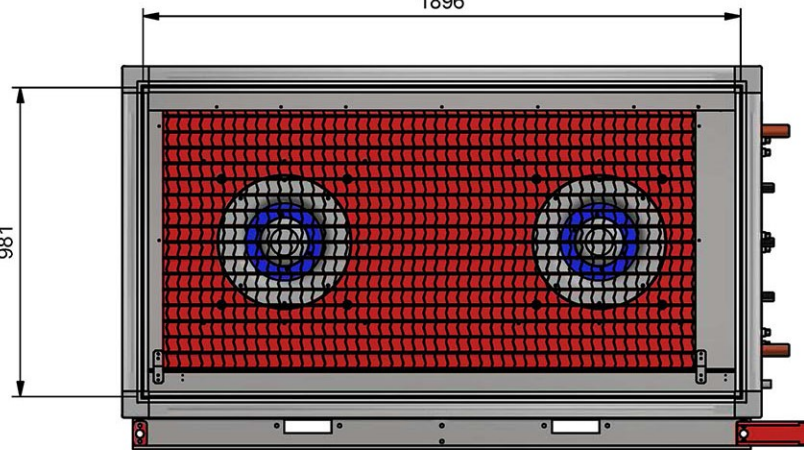


VIEW ISO 1 (1 : 30)



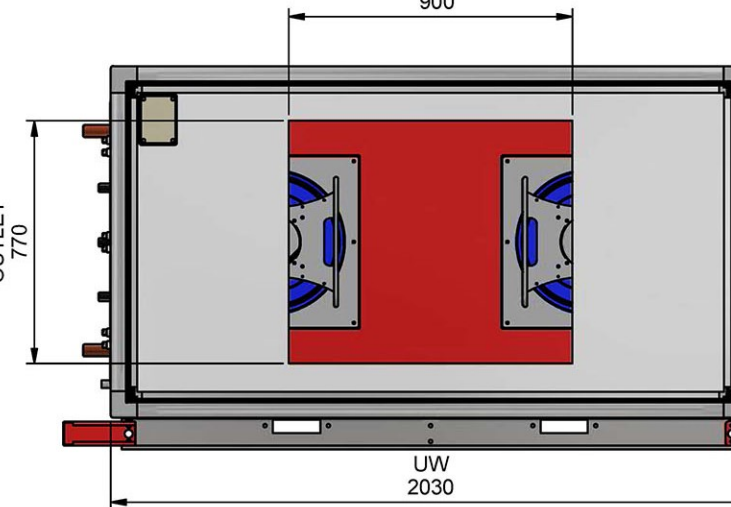
MAX INLET
1896

MAX INLET
981



OUTLET
900

OUTLET
770



MAX S/A (HORIZONTAL) : 875 X 1520MM
MAX S/A (VERTICAL) : 480 X 1805MM

UNLESS OTHERWISE SPECIFIED
DIMENSIONS ARE IN MILLIMETERS
BREAK AND DEBUR ALL SHARP EDGES

3rd ANGLE
PROJECTION

DO NOT SCALE DRAWING

Rev	By	Date	Description
/00	Toh	21/03/2017	Initial Released

Fantech Pty Ltd. © A.C.N. 005 434 024
45 NESTOR DRIVE, MEADOWBROOK, QUEENSLAND, AUSTRALIA. 4131
TELEPHONE: (07) 32 999 888 FACSIMILE: (07) 32 999 800



DRAWN: Toh DATE: 21/3/2017
CHKED: Sean DATE: --
APPRD: JT DATE: --

General Layout
ME2B-H306/G2-FCO,
GR40(115514)x2

DRAWING NO: 868-8010-1306 REV: /00 SCALE: 1 : 24 SIZE: A3